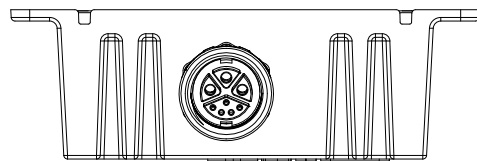
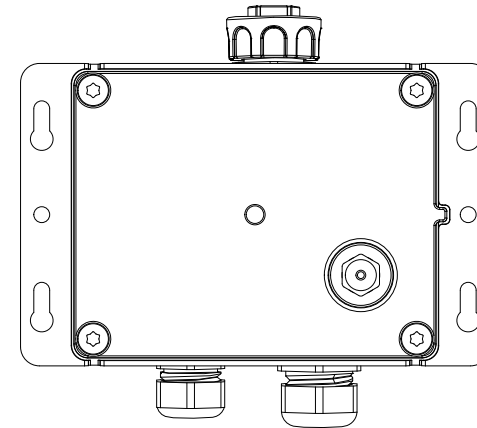
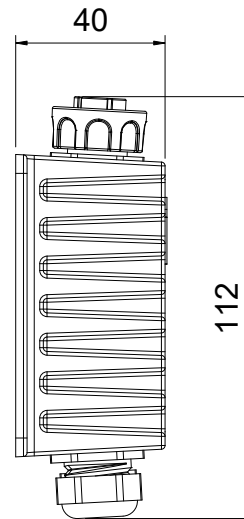
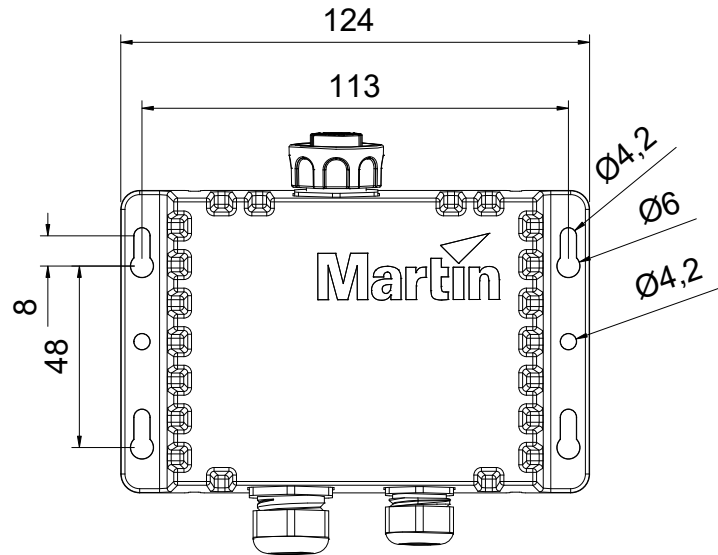
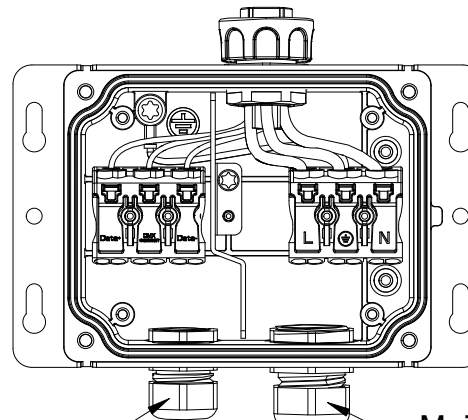


REVISION HISTORY

DATE	REV	DESCRIPTION	BY
9/06/2022	A	First release	CCai

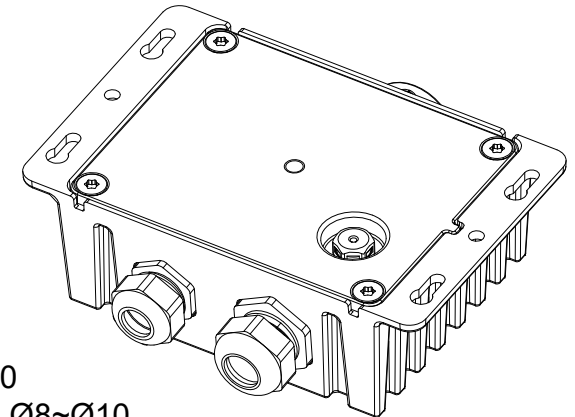


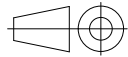

Output



Data input, M16
Cable diameter: Ø5~Ø7

Mains input, M20
Cable diameter: Ø8~Ø10



© 2021 HARMAN Professional Denmark ApS PROPRIETARY AND CONFIDENTIAL PROPERTY OF HARMAN. DO NOT DISCLOSE, REPRODUCE, OR PUBLISH WITHOUT WRITTEN HARMAN APPROVAL.	Material	FIRST ANGLE PROJECTION 	 HARMAN	HARMAN Professional Denmark ApS Olof Palmes Allé 44 DK 8200 Aarhus N			
	General linear tolerance			Surface treatment	TITLE (Model in view) JUNCTION BOX POWER DMX TO PD		
ROHS RESTRICTION OF HAZARDOUS SUBSTANCES ALL MATERIALS USED IN THIS PART MUST BE ROHS COMPLIANT. SUPPLIER SHALL PROVIDE A CERTIFICATE OF ROHS COMPLIANCE WITH THE FIRST ARTICLE.	General angular tolerance	Color	NO. MAR-91700019		REV A		
	General geometrical tolerance	Project number	SIZE A4	SCALE 1:2	UNIT mm	DO NOT SCALE DRAWING	
	DIMENSIONS SHOWN ARE FOR REFERENCE AND INSPECTION ONLY. REFER TO CAD MODEL PROVIDED WITH THIS DRAWING FOR OVERALL DEFINITION OF PART GEOMETRY.		SHEET 1 OF 1				